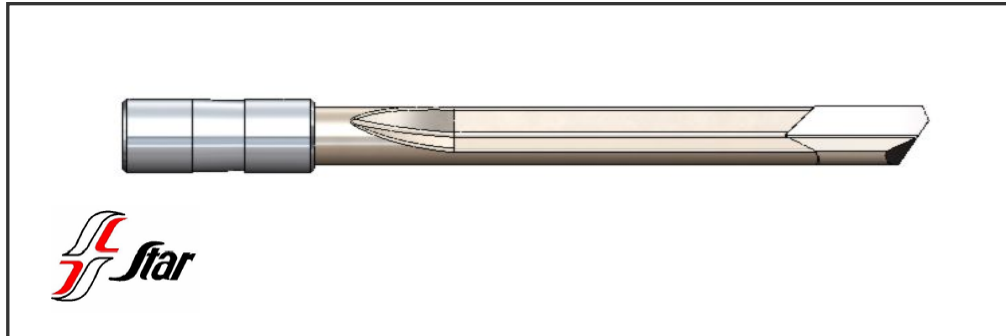




## EXPEDITED PROGRAMS FOR SINGLE FLUTE GUNDRILLS



### SOLUTION: 24 HOUR-DELIVERY SINGLE FLUTE STOCK:

When you have an emergency and need stock single-flute gundrills in a hurry, you can rely on Star SU to deliver. Star SU covers a large range of stocked gundrills with various diameters ranging from .078" - .7500" in various lengths we can deliver within 24 hours.

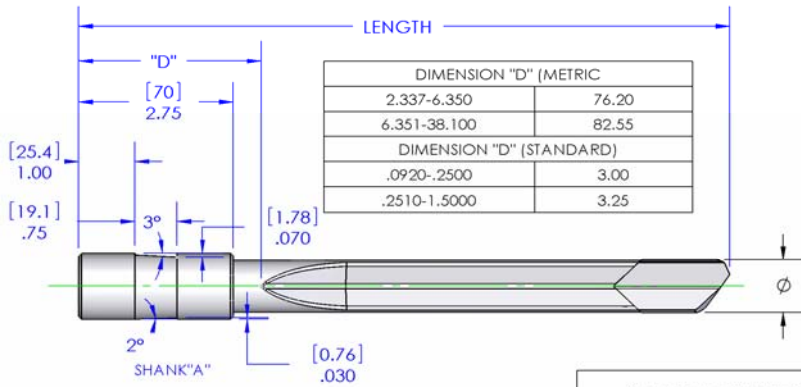
### SOLUTION: 24 HOUR-DELIVERY SINGLE FLUTE MOLD TOOL PROGRAM:

Star SU offers a 24-hour delivery service for standard diameter and length Mold Making Gundrills. These Mold Drills are available in diameter ranging from .1885" – 1.500". Standard 1.25" Diameter by 2.75" long drivers apply. If the size you need is not a stocked item please contact us. We offer an additional expedited program allowing us to service our customer needs.

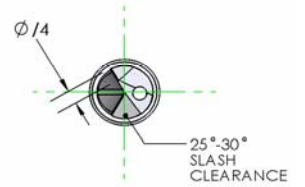
### Solution: 72-Hour (Three Working Days) Customer Design Program:

Star SU offers "Custom Design" Single Flute Gundrills with diameters ranging from 0.092" – 1.508", **shipped within 72 hours (Three working days)**. This program allows special designs for specific diameter, overall lengths, point geometry's and contours. Please specify type of material being machined at time of order placement to ensure proper designs.

# CD-GUNDRILLS

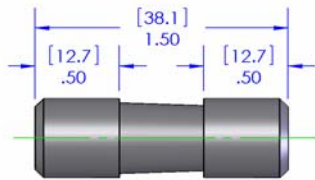


DIMENSION "D" (METRIC)	
2.337-6.350	76.20
6.351-38.100	82.55
DIMENSION "D" (STANDARD)	
.0920-.2500	3.00
.2510-1.5000	3.25

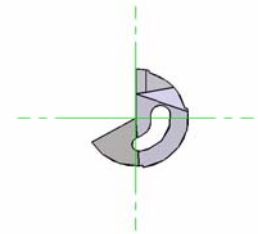


**SINGLE HOLE STANDARD**  
ALL TOOLS OVER Ø .3750

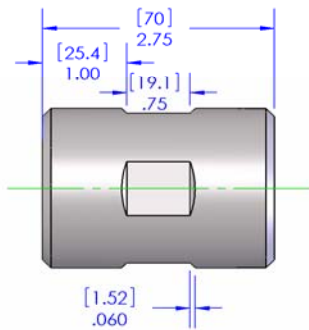
Ø TOLERANCE (METRIC)	
2.337-19.050	+0.000 -0.008
19.051-38.100	+0.000 -0.013
Ø TOLERANCE ENGLISH	
.0920-.7500	+ .0000 - .0003
.7510-1.5000	+ .0000 - .0005



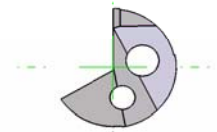
SHANK "B"



**KIDNEY HOLE STANDARD**  
ALL TOOLS UNDER Ø .3750



SHANK "C"



**TWIN COOLANT HOLE**  
OPTIONAL

METRIC		
TOOL Ø	SHANK TYPE	SHANK Ø
2.337-3.123	B	12.700
3.124-12.900	A	19.050
12.901-19.327	A	25.400
19.328-26.871	A	31.750
26.872-27.938	C	38.100
27.939-32.433	C	44.450
32.434-38.100	C	50.800
STANDARD		
TOOL Ø	SHANK TYPE	SHANK Ø
.0920-.1229	B	.5000
.1230-.5079	A	.7500
.5080-.7609	A	1.0000
.7610-1.0579	A	1.2500
1.0580-1.0999	C	1.5000
1.1000-1.2769	C	1.7500
1.2770-1.5000	C	2.0000

