



Single Flute Gundrill Stock List

Same day shipping.

Technical support available.

Be sure to ask about our 72-hour custom gundrills

Call 877-635-3488 for availability

Single Flute Gundrill Stock List



Diameter (inches)	Overall Length (inches)	1-3 piece drills	4-5 piece drills	6-11 piece drills	12-25 piece drills	Shank Size (inches)	Shank Type
0.0937	16	\$114	\$109	\$101	\$93	1/2 x 1 1/2	B
0.1250	10	\$81	\$74	\$70	\$64	3/4 x 2 3/4	B
0.1250	16	\$87	\$79	\$74	\$67	3/4 x 2 3/4	B
0.1285	10	\$83	\$78	\$72	\$64	3/4 x 2 3/4	B
0.1285	16	\$89	\$83	\$76	\$69	3/4 x 2 3/4	B
0.1285	22	\$96	\$90	\$83	\$75	3/4 x 2 3/4	B
0.1285	28	\$98	\$94	\$85	\$76	3/4 x 2 3/4	B
0.1360	10	\$85	\$81	\$73	\$65	3/4 x 2 3/4	A
0.1360	16	\$92	\$84	\$76	\$70	3/4 x 2 3/4	A
0.1360	22	\$98	\$92	\$84	\$75	3/4 x 2 3/4	A
0.1406	10	\$83	\$76	\$70	\$63	3/4 x 2 3/4	A
0.1406	16	\$87	\$83	\$75	\$67	3/4 x 2 3/4	A
0.1406	22	\$94	\$87	\$81	\$72	3/4 x 2 3/4	A
0.1470	10	\$84	\$77	\$71	\$64	3/4 x 2 3/4	A
0.1470	16	\$87	\$83	\$75	\$67	3/4 x 2 3/4	A
0.1470	22	\$95	\$87	\$81	\$72	3/4 x 2 3/4	A
0.1495	10	\$83	\$77	\$70	\$63	3/4 x 2 3/4	A
0.1495	16	\$88	\$83	\$76	\$67	3/4 x 2 3/4	A
0.1562	10	\$81	\$74	\$69	\$63	3/4 x 2 3/4	A
0.1562	16	\$83	\$78	\$72	\$64	3/4 x 2 3/4	A
0.1562	22	\$89	\$85	\$76	\$70	3/4 x 2 3/4	A
0.1562	28	\$95	\$87	\$81	\$74	3/4 x 2 3/4	A
0.1562	36	\$99	\$93	\$85	\$75	3/4 x 2 3/4	A
0.1575	10	\$81	\$75	\$70	\$63	3/4 x 2 3/4	A
0.1575	16	\$85	\$81	\$74	\$65	3/4 x 2 3/4	A
0.1575	22	\$90	\$85	\$78	\$70	3/4 x 2 3/4	A
0.1590	10	\$81	\$75	\$70	\$63	3/4 x 2 3/4	A
0.1590	16	\$85	\$81	\$74	\$65	3/4 x 2 3/4	A
0.1590	22	\$90	\$85	\$78	\$70	3/4 x 2 3/4	A
0.1610	10	\$81	\$75	\$70	\$63	3/4 x 2 3/4	A
0.1610	16	\$85	\$79	\$74	\$65	3/4 x 2 3/4	A
0.1610	22	\$90	\$85	\$78	\$70	3/4 x 2 3/4	A
0.1660	10	\$81	\$74	\$71	\$63	3/4 x 2 3/4	A
0.1660	16	\$85	\$81	\$74	\$65	3/4 x 2 3/4	A
0.1660	22	\$90	\$85	\$79	\$70	3/4 x 2 3/4	A
0.1719	10	\$81	\$75	\$70	\$63	3/4 x 2 3/4	A
0.1719	16	\$85	\$79	\$74	\$65	3/4 x 2 3/4	A

Diameter (inches)	Overall Length (inches)	1-3 piece drills	4-5 piece drills	6-11 piece drills	12-25 piece drills	Shank Size (inches)	Shank Type
0.1719	22	\$90	\$85	\$78	\$70	3/4 x 2 3/4	A
0.1770	10	\$79	\$74	\$69	\$63	3/4 x 2 3/4	A
0.1770	16	\$85	\$78	\$72	\$65	3/4 x 2 3/4	A
0.1770	22	\$89	\$83	\$76	\$70	3/4 x 2 3/4	A
0.1800	10	\$79	\$74	\$70	\$63	3/4 x 2 3/4	A
0.1800	16	\$85	\$78	\$72	\$64	3/4 x 2 3/4	A
0.1800	22	\$89	\$83	\$77	\$69	3/4 x 2 3/4	A
0.1850	10	\$81	\$74	\$70	\$63	3/4 x 2 3/4	A
0.1850	16	\$85	\$78	\$72	\$65	3/4 x 2 3/4	A
0.1850	22	\$89	\$83	\$75	\$70	3/4 x 2 3/4	A
0.1875	10	\$74	\$71	\$63	\$60	3/4 x 2 3/4	A
0.1875	16	\$81	\$74	\$70	\$63	3/4 x 2 3/4	A
0.1875	22	\$82	\$76	\$70	\$63	3/4 x 2 3/4	A
0.1875	28	\$92	\$85	\$78	\$71	3/4 x 2 3/4	A
0.1875	36	\$98	\$93	\$85	\$76	3/4 x 2 3/4	A
0.2031	10	\$75	\$70	\$63	\$59	3/4 x 2 3/4	A
0.2031	16	\$77	\$72	\$67	\$61	3/4 x 2 3/4	A
0.2031	22	\$83	\$76	\$72	\$63	3/4 x 2 3/4	A
0.2031	28	\$90	\$85	\$77	\$70	3/4 x 2 3/4	A
0.2031	36	\$96	\$92	\$83	\$75	3/4 x 2 3/4	A
0.2130	10	\$74	\$70	\$63	\$59	3/4 x 2 3/4	A
0.2130	16	\$78	\$74	\$69	\$61	3/4 x 2 3/4	A
0.2130	22	\$85	\$81	\$74	\$66	3/4 x 2 3/4	A
0.2130	28	\$87	\$83	\$77	\$69	3/4 x 2 3/4	A
0.2130	36	\$89	\$85	\$81	\$71	3/4 x 2 3/4	A
0.2187	10	\$74	\$70	\$63	\$58	3/4 x 2 3/4	A
0.2187	16	\$75	\$72	\$65	\$60	3/4 x 2 3/4	A
0.2187	22	\$81	\$74	\$71	\$63	3/4 x 2 3/4	A
0.2187	28	\$87	\$83	\$75	\$67	3/4 x 2 3/4	A
0.2187	36	\$94	\$87	\$82	\$74	3/4 x 2 3/4	A
0.2210	10	\$74	\$72	\$65	\$59	3/4 x 2 3/4	A
0.2210	16	\$77	\$74	\$67	\$61	3/4 x 2 3/4	A
0.2344	10	\$74	\$70	\$63	\$58	3/4 x 2 3/4	A
0.2344	16	\$74	\$72	\$65	\$59	3/4 x 2 3/4	A
0.2344	22	\$81	\$74	\$70	\$63	3/4 x 2 3/4	A
0.2344	28	\$85	\$81	\$74	\$67	3/4 x 2 3/4	A
0.2344	36	\$93	\$85	\$81	\$72	3/4 x 2 3/4	A

Single Flute Gundrill Stock List



Diameter (inches)	Overall Length (inches)	1-3 piece drills	4-5 piece drills	6-11 piece drills	12-25 piece drills	Shank Size (inches)	Shank Type
0.2362	10	\$74	\$70	\$64	\$58	3/4 x 2 3/4	A
0.2362	16	\$76	\$73	\$65	\$61	3/4 x 2 3/4	A
0.2362	22	\$82	\$77	\$70	\$63	3/4 x 2 3/4	A
0.2500	10	\$72	\$67	\$63	\$57	3/4 x 2 3/4	A
0.2500	16	\$75	\$70	\$63	\$59	3/4 x 2 3/4	A
0.2500	22	\$79	\$74	\$69	\$61	3/4 x 2 3/4	A
0.2500	28	\$85	\$81	\$74	\$65	3/4 x 2 3/4	A
0.2500	36	\$92	\$85	\$78	\$72	3/4 x 2 3/4	A
0.2500	48	\$102	\$96	\$89	\$79	3/4 x 2 3/4	A
0.2570	10	\$74	\$69	\$63	\$58	3/4 x 2 3/4	A
0.2570	16	\$76	\$72	\$66	\$60	3/4 x 2 3/4	A
0.2570	22	\$79	\$75	\$67	\$63	3/4 x 2 3/4	A
0.2656	10	\$74	\$70	\$63	\$58	3/4 x 2 3/4	A
0.2656	16	\$75	\$72	\$65	\$59	3/4 x 2 3/4	A
0.2656	22	\$79	\$74	\$70	\$63	3/4 x 2 3/4	A
0.2656	28	\$85	\$81	\$74	\$66	3/4 x 2 3/4	A
0.2656	36	\$92	\$85	\$78	\$71	3/4 x 2 3/4	A
0.2812	10	\$75	\$70	\$64	\$59	3/4 x 2 3/4	A
0.2812	16	\$77	\$72	\$65	\$60	3/4 x 2 3/4	A
0.2812	22	\$81	\$74	\$70	\$63	3/4 x 2 3/4	A
0.2812	28	\$85	\$82	\$74	\$69	3/4 x 2 3/4	A
0.2812	36	\$92	\$85	\$79	\$72	3/4 x 2 3/4	A
0.2812	48	\$105	\$97	\$90	\$82	3/4 x 2 3/4	A
0.2969	10	\$74	\$70	\$63	\$60	3/4 x 2 3/4	A
0.2969	16	\$74	\$71	\$64	\$62	3/4 x 2 3/4	A
0.2969	22	\$79	\$74	\$70	\$63	3/4 x 2 3/4	A
0.2969	28	\$85	\$79	\$74	\$67	3/4 x 2 3/4	A
0.2969	36	\$90	\$85	\$77	\$72	3/4 x 2 3/4	A
0.3125	10	\$77	\$74	\$67	\$60	3/4 x 2 3/4	A
0.3125	16	\$79	\$74	\$69	\$63	3/4 x 2 3/4	A
0.3125	22	\$83	\$76	\$71	\$63	3/4 x 2 3/4	A
0.3125	28	\$87	\$81	\$74	\$69	3/4 x 2 3/4	A
0.3125	36	\$93	\$86	\$81	\$72	3/4 x 2 3/4	A
0.3125	48	\$106	\$97	\$90	\$82	3/4 x 2 3/4	A
0.3150	10	\$77	\$74	\$67	\$60	3/4 x 2 3/4	A
0.3150	16	\$79	\$74	\$69	\$63	3/4 x 2 3/4	A
0.3150	22	\$83	\$76	\$71	\$63	3/4 x 2 3/4	A

Diameter (inches)	Overall Length (inches)	1-3 piece drills	4-5 piece drills	6-11 piece drills	12-25 piece drills	Shank Size (inches)	Shank Type
0.3150	36	\$93	\$87	\$79	\$72	3/4 x 2 3/4	A
0.3281	10	\$78	\$74	\$67	\$61	3/4 x 2 3/4	A
0.3281	16	\$79	\$74	\$70	\$63	3/4 x 2 3/4	A
0.3281	22	\$85	\$79	\$72	\$65	3/4 x 2 3/4	A
0.3281	28	\$88	\$83	\$75	\$69	3/4 x 2 3/4	A
0.3281	36	\$93	\$87	\$81	\$72	3/4 x 2 3/4	A
0.3437	10	\$79	\$74	\$69	\$63	3/4 x 2 3/4	A
0.3437	16	\$82	\$75	\$70	\$63	3/4 x 2 3/4	A
0.3437	22	\$85	\$79	\$74	\$65	3/4 x 2 3/4	A
0.3437	28	\$89	\$83	\$75	\$69	3/4 x 2 3/4	A
0.3437	36	\$94	\$86	\$81	\$71	3/4 x 2 3/4	A
0.3437	48	\$107	\$98	\$92	\$82	3/4 x 2 3/4	A
0.3543	10	\$76	\$72	\$67	\$62	3/4 x 2 3/4	A
0.3543	16	\$79	\$74	\$70	\$63	3/4 x 2 3/4	A
0.3543	22	\$82	\$76	\$71	\$64	3/4 x 2 3/4	A
0.3594	10	\$81	\$75	\$71	\$63	3/4 x 2 3/4	A
0.3594	16	\$83	\$77	\$72	\$64	3/4 x 2 3/4	A
0.3594	22	\$85	\$79	\$74	\$66	3/4 x 2 3/4	A
0.3594	28	\$89	\$85	\$76	\$69	3/4 x 2 3/4	A
0.3594	36	\$94	\$87	\$81	\$74	3/4 x 2 3/4	A
0.3750	10	\$82	\$76	\$71	\$63	3/4 x 2 3/4	A
0.3750	16	\$83	\$76	\$72	\$64	3/4 x 2 3/4	A
0.3750	22	\$89	\$83	\$75	\$70	3/4 x 2 3/4	A
0.3750	28	\$92	\$85	\$76	\$71	3/4 x 2 3/4	A
0.3750	36	\$95	\$88	\$81	\$74	3/4 x 2 3/4	A
0.3750	48	\$107	\$100	\$94	\$87	3/4 x 2 3/4	A
0.3906	10	\$84	\$78	\$72	\$65	3/4 x 2 3/4	A
0.3906	16	\$85	\$79	\$73	\$66	3/4 x 2 3/4	A
0.3906	22	\$88	\$83	\$76	\$70	3/4 x 2 3/4	A
0.3906	28	\$90	\$85	\$79	\$72	3/4 x 2 3/4	A
0.3906	36	\$96	\$89	\$82	\$74	3/4 x 2 3/4	A
0.3906	48	\$82	\$76	\$70	\$63	3/4 x 2 3/4	A
0.3937	10	\$83	\$77	\$71	\$64	3/4 x 2 3/4	A
0.3937	16	\$85	\$79	\$74	\$65	3/4 x 2 3/4	A
0.3937	22	\$89	\$85	\$78	\$70	3/4 x 2 3/4	A
0.3937	28	\$92	\$87	\$82	\$73	3/4 x 2 3/4	A
0.3937	36	\$96	\$89	\$83	\$74	3/4 x 2 3/4	A

Single Flute Gundrill Stock List



Diameter (inches)	Overall Length (inches)	1-3 piece drills	4-5 piece drills	6-11 piece drills	12-25 piece drills	Shank Size (inches)	Shank Type
0.3937	48	\$108	\$102	\$93	\$85	3/4 x 2 3/4	A
0.4062	10	\$83	\$78	\$72	\$64	3/4 x 2 3/4	A
0.4062	16	\$85	\$81	\$74	\$65	3/4 x 2 3/4	A
0.4062	22	\$89	\$85	\$78	\$70	3/4 x 2 3/4	A
0.4062	28	\$92	\$85	\$79	\$71	3/4 x 2 3/4	A
0.4062	36	\$96	\$89	\$83	\$74	3/4 x 2 3/4	A
0.4062	48	\$108	\$102	\$93	\$85	3/4 x 2 3/4	A
0.4375	10	\$85	\$79	\$72	\$65	3/4 x 2 3/4	A
0.4375	16	\$86	\$81	\$74	\$66	3/4 x 2 3/4	A
0.4375	22	\$92	\$85	\$78	\$72	3/4 x 2 3/4	A
0.4375	28	\$93	\$86	\$81	\$72	3/4 x 2 3/4	A
0.4375	36	\$97	\$92	\$85	\$76	3/4 x 2 3/4	A
0.4375	48	\$109	\$104	\$94	\$85	3/4 x 2 3/4	A
0.4531	10	\$85	\$79	\$74	\$65	3/4 x 2 3/4	A
0.4531	16	\$86	\$82	\$74	\$67	3/4 x 2 3/4	A
0.4531	22	\$92	\$85	\$79	\$71	3/4 x 2 3/4	A
0.4531	28	\$93	\$87	\$79	\$72	3/4 x 2 3/4	A
0.4531	36	\$98	\$93	\$85	\$77	3/4 x 2 3/4	A
0.4531	48	\$109	\$104	\$96	\$85	3/4 x 2 3/4	A
0.4687	10	\$82	\$79	\$74	\$65	3/4 x 2 3/4	A
0.4687	16	\$85	\$82	\$75	\$67	3/4 x 2 3/4	A
0.4687	22	\$93	\$86	\$79	\$71	3/4 x 2 3/4	A
0.4687	28	\$95	\$87	\$82	\$74	3/4 x 2 3/4	A
0.4687	36	\$98	\$92	\$85	\$76	3/4 x 2 3/4	A
0.4687	48	\$109	\$104	\$96	\$85	3/4 x 2 3/4	A
0.4844	10	\$85	\$81	\$74	\$71	3/4 x 2 3/4	A
0.4844	16	\$87	\$82	\$75	\$67	3/4 x 2 3/4	A
0.4844	22	\$92	\$86	\$79	\$72	3/4 x 2 3/4	A
0.4844	28	\$96	\$89	\$82	\$74	3/4 x 2 3/4	A
0.4844	36	\$98	\$93	\$85	\$75	3/4 x 2 3/4	A
0.5000	10	\$85	\$82	\$74	\$65	3/4 x 2 3/4	A
0.5000	16	\$87	\$83	\$76	\$67	3/4 x 2 3/4	A
0.5000	22	\$92	\$85	\$79	\$72	3/4 x 2 3/4	A
0.5000	28	\$96	\$85	\$79	\$74	3/4 x 2 3/4	A
0.5000	36	\$99	\$94	\$86	\$78	3/4 x 2 3/4	A
0.5000	48	\$113	\$105	\$96	\$86	3/4 x 2 3/4	A
0.5156	16	\$90	\$85	\$76	\$70	1 x 2 3/4	A

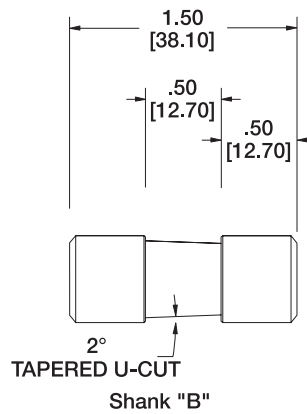
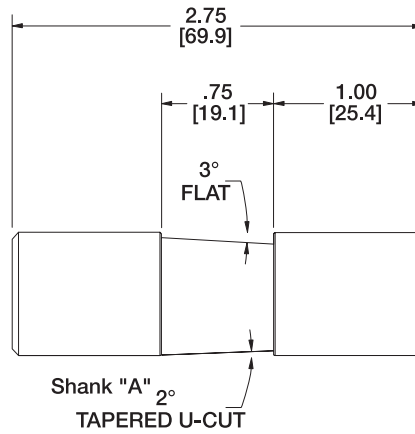
Diameter (inches)	Overall Length (inches)	1-3 piece drills	4-5 piece drills	6-11 piece drills	12-25 piece drills	Shank Size (inches)	Shank Type
0.5156	22	\$93	\$87	\$81	\$72	1 x 2 3/4	A
0.5156	36	\$104	\$96	\$87	\$78	1 x 2 3/4	A
0.5312	16	\$90	\$85	\$78	\$71	1 x 2 3/4	A
0.5312	22	\$94	\$87	\$81	\$74	1 x 2 3/4	A
0.5312	36	\$102	\$96	\$87	\$81	1 x 2 3/4	A
0.5312	48	\$116	\$107	\$100	\$89	1 x 2 3/4	A
0.5469	16	\$92	\$85	\$81	\$72	1 x 2 3/4	A
0.5469	22	\$96	\$90	\$82	\$74	1 x 2 3/4	A
0.5469	36	\$104	\$97	\$90	\$81	1 x 2 3/4	A
0.5625	16	\$96	\$92	\$85	\$75	1 x 2 3/4	A
0.5625	22	\$100	\$95	\$86	\$77	1 x 2 3/4	A
0.5625	36	\$109	\$102	\$95	\$85	1 x 2 3/4	A
0.5625	48	\$124	\$118	\$107	\$96	1 x 2 3/4	A
0.5781	16	\$104	\$97	\$88	\$81	1 x 2 3/4	A
0.5781	22	\$107	\$99	\$92	\$82	1 x 2 3/4	A
0.5781	36	\$113	\$107	\$97	\$88	1 x 2 3/4	A
0.5937	16	\$105	\$97	\$92	\$81	1 x 2 3/4	A
0.5937	22	\$107	\$100	\$92	\$83	1 x 2 3/4	A
0.5937	36	\$116	\$107	\$98	\$88	1 x 2 3/4	A
0.5937	48	\$130	\$122	\$112	\$101	1 x 2 3/4	A
0.6094	16	\$109	\$102	\$94	\$85	1 x 2 3/4	A
0.6094	22	\$113	\$105	\$96	\$87	1 x 2 3/4	A
0.6094	36	\$118	\$111	\$104	\$93	1 x 2 3/4	A
0.6250	16	\$110	\$104	\$96	\$85	1 x 2 3/4	A
0.6250	22	\$113	\$107	\$97	\$87	1 x 2 3/4	A
0.6250	28	\$118	\$109	\$100	\$90	1 x 2 3/4	A
0.6250	36	\$119	\$112	\$104	\$92	1 x 2 3/4	A
0.6250	48	\$135	\$129	\$118	\$107	1 x 2 3/4	A
0.6406	16	\$110	\$102	\$96	\$85	1 x 2 3/4	A
0.6406	22	\$116	\$107	\$97	\$88	1 x 2 3/4	A
0.6406	36	\$120	\$113	\$106	\$94	1 x 2 3/4	A
0.6562	16	\$113	\$107	\$96	\$86	1 x 2 3/4	A
0.6562	22	\$117	\$108	\$98	\$89	1 x 2 3/4	A
0.6562	36	\$122	\$114	\$105	\$96	1 x 2 3/4	A
0.6719	16	\$114	\$107	\$97	\$87	1 x 2 3/4	A
0.6719	22	\$118	\$109	\$100	\$90	1 x 2 3/4	A
0.6719	36	\$123	\$116	\$107	\$96	1 x 2 3/4	A

Single Flute Gundrill Stock List



Diameter (inches)	Overall Length (inches)	1-3 piece drills	4-5 piece drills	6-11 piece drills	12-25 piece drills	Shank Size (inches)	Shank Type
0.6875	16	\$116	\$108	\$98	\$89	1 x 2 3/4	A
0.6875	22	\$118	\$110	\$101	\$88	1 x 2 3/4	A
0.6875	36	\$124	\$118	\$107	\$96	1 x 2 3/4	A
0.6875	48	\$140	\$131	\$119	\$108	1 x 2 3/4	A
0.7031	22	\$118	\$111	\$104	\$93	1 x 2 3/4	A
0.7031	36	\$121	\$118	\$107	\$97	1 x 2 3/4	A
0.7031	48	\$141	\$132	\$120	\$109	1 x 2 3/4	A
0.7187	16	\$118	\$109	\$100	\$90	1 x 2 3/4	A
0.7187	22	\$119	\$112	\$102	\$93	1 x 2 3/4	A
0.7187	36	\$124	\$118	\$108	\$97	1 x 2 3/4	A
0.7344	16	\$118	\$109	\$101	\$92	1 x 2 3/4	A
0.7344	22	\$121	\$113	\$102	\$94	1 x 2 3/4	A
0.7344	36	\$124	\$118	\$108	\$97	1 x 2 3/4	A
0.7500	16	\$123	\$114	\$107	\$96	1 x 2 3/4	A
0.7500	22	\$124	\$118	\$108	\$97	1 x 2 3/4	A
0.7500	28	\$128	\$119	\$111	\$99	1 x 2 3/4	A
0.7500	36	\$130	\$122	\$112	\$100	1 x 2 3/4	A
0.7500	48	\$143	\$134	\$129	\$118	1 x 2 3/4	A

Single Flute Gundrill Stock List



NOTE:
Inch
[Metric]



Star SU LLC
5200 Prairie Stone Parkway,
Suite 100
Hoffman Estates, IL 60192
Tel.: 847 649 1450
Fax: 847 649 0112
e-mail: sales@star-su.com
web: www.star-su.com

Star Cutter Company
23461 Industrial Park Drive
Farmington Hills, MI 49629-0728
Tel.: 231 264 5661
Fax: 231 264 5663
e-mail: sales@starcutter.com
web: www.starcutter.com