

# Single Flute Gundrill Stock List



Same day shipping.  
Technical support available.  
Be sure to ask about our 72-hour custom gundrills.

Call **877-635-3488** for availability

# Single Flute Gundrill Stock List



Diameter (inches/mm)	Overall (inches/mm)	1-3 Drills	4-5 Drills	6-11 Drills	12-25 Drills	Shank Size (inches/mm)	Shank Typ
0.0937 (2.380)	16 (406)	\$114	\$108	\$99	\$92	1/2 x 1-1/2 (12.7 - 38.1)	B
0.1250 (3.175)	10 (254)	\$79	\$72	\$68	\$62	3/4 x 2-3/4 (19.05 - 70)	B
0.1250 (3.175)	16 (406)	\$86	\$78	\$72	\$66	3/4 x 2-3/4 (19.05 - 70)	B
0.1360 (3.454)	16 (406)	\$90	\$82	\$75	\$68	3/4 x 2-3/4 (19.05 - 70)	A
0.1406 (3.571)	10 (254)	\$81	\$75	\$68	\$61	3/4 x 2-3/4 (19.05 - 70)	A
0.1406 (3.571)	16 (406)	\$86	\$81	\$74	\$66	3/4 x 2-3/4 (19.05 - 70)	A
0.1562 (3.967)	10 (254)	\$79	\$72	\$67	\$61	3/4 x 2-3/4 (19.05 - 70)	A
0.1562 (3.967)	16 (406)	\$81	\$77	\$70	\$68	3/4 x 2-3/4 (19.05 - 70)	A
0.1562 (3.967)	22 (559)	\$88	\$84	\$75	\$68	3/4 x 2-3/4 (19.05 - 70)	A
0.1562 (3.967)	28 (711)	\$94	\$86	\$79	\$72	3/4 x 2-3/4 (19.05 - 70)	A
0.1562 (3.967)	36 (914)	\$98	\$91	\$84	\$74	3/4 x 2-3/4 (19.05 - 70)	A
0.1875 (4.763)	10 (254)	\$72	\$69	\$61	\$54	3/4 x 2-3/4 (19.05 - 70)	A
0.1875 (4.763)	16 (406)	\$79	\$72	\$68	\$61	3/4 x 2-3/4 (19.05 - 70)	A
0.1875 (4.763)	22 (559)	\$80	\$75	\$68	\$61	3/4 x 2-3/4 (19.05 - 70)	A
0.1875 (4.763)	28 (711)	\$90	\$84	\$77	\$69	3/4 x 2-3/4 (19.05 - 70)	A
0.1875 (4.763)	36 (914)	\$97	\$91	\$84	\$75	1/2 x 1-1/2 (12.7 - 38.1)	A
0.2031 (5.159)	10 (254)	\$74	\$68	\$61	\$57	3/4 x 2-3/4 (19.05 - 70)	A
0.2031 (5.159)	16 (406)	\$76	\$70	\$66	\$59	3/4 x 2-3/4 (19.05 - 70)	A
0.2031 (5.159)	22 (559)	\$81	\$75	\$70	\$61	3/4 x 2-3/4 (19.05 - 70)	A
0.2031 (5.159)	28 (711)	\$89	\$84	\$76	\$68	3/4 x 2-3/4 (19.05 - 70)	A
0.2031 (5.159)	36 (914)	\$95	\$90	\$81	\$74	3/4 x 2-3/4 (19.05 - 70)	A
0.2130 (5.410)	10 (254)	\$72	\$68	\$61	\$57	3/4 x 2-3/4 (19.05 - 70)	A
0.2130 (5.410)	16 (406)	\$77	\$72	\$67	\$59	3/4 x 2-3/4 (19.05 - 70)	A
0.2130 (5.410)	22 (559)	\$84	\$79	\$72	\$65	3/4 x 2-3/4 (19.05 - 70)	A
0.2130 (5.410)	28 (711)	\$86	\$81	\$76	\$67	3/4 x 2-3/4 (19.05 - 70)	A
0.2130 (5.410)	36 (914)	\$88	\$84	\$79	\$69	3/4 x 2-3/4 (19.05 - 70)	A
0.2187 (5.555)	10 (254)	\$72	\$68	\$61	\$56	3/4 x 2-3/4 (19.05 - 70)	A
0.2187 (5.555)	16 (406)	\$74	\$70	\$63	\$58	3/4 x 2-3/4 (19.05 - 70)	A
0.2187 (5.555)	22 (559)	\$79	\$72	\$69	\$61	3/4 x 2-3/4 (19.05 - 70)	A
0.2187 (5.555)	28 (711)	\$86	\$81	\$74	\$66	3/4 x 2-3/4 (19.05 - 70)	A
0.2187 (5.555)	36 (914)	\$92	\$86	\$80	\$72	3/4 x 2-3/4 (19.05 - 70)	A
0.2344 (5.954)	16 (406)	\$72	\$70	\$63	\$57	3/4 x 2-3/4 (19.05 - 70)	A

Diameter (inches/mm)	Overall (inches/mm)	1-3 Drills	4-5 Drills	6-11 Drills	12-25 Drills	Shank Size (inches/mm)	Shank Type
0.2344 (5.954)	36 (914)	\$91	\$84	\$79	\$70	3/4 x 2-3/4 (19.05 - 70)	A
0.2362 (6.000)	10 (254)	\$72	\$68	\$62	\$56	3/4 x 2-3/4 (19.05 - 70)	A
0.2362 (6.000)	16 (406)	\$75	\$71	\$63	\$59	3/4 x 2-3/4 (19.05 - 70)	A
0.2362 (6.000)	22 (559)	\$80	\$76	\$68	\$61	3/4 x 2-3/4 (19.05 - 70)	A
0.2500 (6.350)	10 (254)	\$70	\$66	\$61	\$55	3/4 x 2-3/4 (19.05 - 70)	A
0.2500 (6.350)	16 (406)	\$74	\$68	\$61	\$57	3/4 x 2-3/4 (19.05 - 70)	A
0.2500 (6.350)	22 (559)	\$78	\$72	\$67	\$59	3/4 x 2-3/4 (19.05 - 70)	A
0.2500 (6.350)	28 (711)	\$84	\$79	\$72	\$63	3/4 x 2-3/4 (19.05 - 70)	A
0.2500 (6.350)	36 (914)	\$90	\$84	\$77	\$70	3/4 x 2-3/4 (19.05 - 70)	A
0.2500 (6.350)	48 (1219)	\$101	\$95	\$88	\$78	3/4 x 2-3/4 (19.05 - 70)	A
0.2570 (6.528)	10 (254)	\$72	\$67	\$61	\$56	3/4 x 2-3/4 (19.05 - 70)	A
0.2570 (6.528)	16 (406)	\$75	\$70	\$65	\$58	3/4 x 2-3/4 (19.05 - 70)	A
0.2570 (6.528)	22 (559)	\$78	\$74	\$66	\$61	3/4 x 2-3/4 (19.05 - 70)	A
0.2656 (6.746)	36 (914)	\$90	\$84	\$77	\$69	3/4 x 2-3/4 (19.05 - 70)	A
0.2812 (7.142)	10 (254)	\$74	\$68	\$62	\$57	3/4 x 2-3/4 (19.05 - 70)	A
0.2812 (7.142)	16 (406)	\$76	\$70	\$63	\$58	3/4 x 2-3/4 (19.05 - 70)	A
0.2812 (7.142)	22 (559)	\$79	\$72	\$68	\$61	3/4 x 2-3/4 (19.05 - 70)	A
0.2812 (7.142)	28 (711)	\$84	\$80	\$72	\$67	3/4 x 2-3/4 (19.05 - 70)	A
0.2812 (7.142)	36 (914)	\$90	\$84	\$78	\$70	3/4 x 2-3/4 (19.05 - 70)	A
0.2812 (7.142)	48 (1219)	\$104	\$96	\$89	\$80	3/4 x 2-3/4 (19.05 - 70)	A
0.3125 (7.938)	10 (254)	\$76	\$72	\$66	\$58	3/4 x 2-3/4 (19.05 - 70)	A
0.3125 (7.938)	16 (406)	\$78	\$72	\$67	\$61	3/4 x 2-3/4 (19.05 - 70)	A
0.3125 (7.938)	22 (559)	\$81	\$75	\$69	\$61	3/4 x 2-3/4 (19.05 - 70)	A
0.3125 (7.938)	28 (711)	\$86	\$79	\$72	\$67	3/4 x 2-3/4 (19.05 - 70)	A
0.3125 (7.938)	36 (914)	\$91	\$85	\$79	\$70	3/4 x 2-3/4 (19.05 - 70)	A
0.3125 (7.938)	48 (1219)	\$105	\$96	\$89	\$80	3/4 x 2-3/4 (19.05 - 70)	A
0.3150 (8.000)	10 (254)	\$76	\$72	\$66	\$58	3/4 x 2-3/4 (19.05 - 70)	A
0.3150 (8.000)	16 (406)	\$78	\$72	\$67	\$61	3/4 x 2-3/4 (19.05 - 70)	A
0.3281 (8.334)	16 (406)	\$78	\$72	\$68	\$61	3/4 x 2-3/4 (19.05 - 70)	A
0.3437 (8.730)	10 (254)	\$78	\$72	\$67	\$61	3/4 x 2-3/4 (19.05 - 70)	A
0.3437 (8.730)	16 (406)	\$80	\$74	\$68	\$61	3/4 x 2-3/4 (19.05 - 70)	A
0.3437 (8.730)	22 (559)	\$84	\$78	\$72	\$63	3/4 x 2-3/4 (19.05 - 70)	A

# Single Flute Gundrill

## Stock List

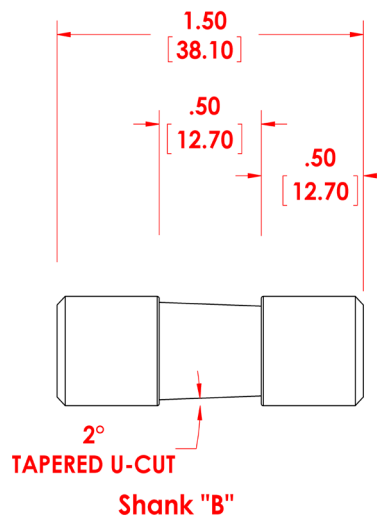
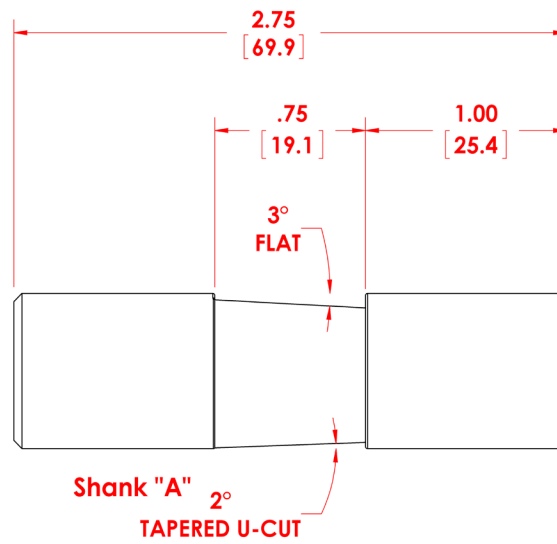


Diameter (inches/mm)	Overall (inches/mm)	1-3 Drills	4-5 Drills	6-11 Drills	12-25 Drills	Shank Size (inches/mm)	Shank Type
0.3437 (8.730)	28 (711)	\$88	\$81	\$74	\$67	3/4 x 2-3/4 (19.05 - 70)	A
0.3437 (8.730)	36 (914)	\$92	\$85	\$79	\$69	3/4 x 2-3/4 (19.05 - 70)	A
0.3437 (8.730)	48 (1219)	\$106	\$97	\$90	\$80	3/4 x 2-3/4 (19.05 - 70)	A
0.3750 (9.525)	10 (254)	\$80	\$75	\$69	\$61	3/4 x 2-3/4 (19.05 - 70)	A
0.3750 (9.525)	16 (406)	\$81	\$75	\$70	\$62	3/4 x 2-3/4 (19.05 - 70)	A
0.3750 (9.525)	22 (559)	\$88	\$81	\$74	\$68	3/4 x 2-3/4 (19.05 - 70)	A
0.3750 (9.525)	28 (711)	\$90	\$84	\$75	\$69	3/4 x 2-3/4 (19.05 - 70)	A
0.3750 (9.525)	36 (914)	\$94	\$87	\$79	\$72	3/4 x 2-3/4 (19.05 - 70)	A
0.3750 (9.525)	48 (1219)	\$106	\$99	\$92	\$86	3/4 x 2-3/4 (19.05 - 70)	A
0.3937 (9.998)	16 (406)	\$84	\$78	\$72	\$63	3/4 x 2-3/4 (19.05 - 70)	A
0.3937 (9.998)	22 (559)	\$88	\$84	\$77	\$68	3/4 x 2-3/4 (19.05 - 70)	A
0.3937 (9.998)	28 (711)	\$90	\$86	\$80	\$71	3/4 x 2-3/4 (19.05 - 70)	A
0.3937 (9.998)	36 (914)	\$95	\$88	\$81	\$72	3/4 x 2-3/4 (19.05 - 70)	A
0.3937 (10.317)	48 (1219)	\$107	\$101	\$91	\$84	3/4 x 2-3/4 (19.05 - 70)	A
0.4062 (10.317)	10 (254)	\$81	\$77	\$70	\$62	3/4 x 2-3/4 (19.05 - 70)	A
0.4062 (10.317)	16 (406)	\$84	\$79	\$72	\$63	3/4 x 2-3/4 (19.05 - 70)	A
0.4062 (10.317)	22 (559)	\$88	\$84	\$77	\$68	3/4 x 2-3/4 (19.05 - 70)	A
0.4062 (10.317)	36 (914)	\$95	\$88	\$81	\$72	3/4 x 2-3/4 (19.05 - 70)	A
0.4375 (11.113)	10 (254)	\$84	\$78	\$70	\$63	3/4 x 2-3/4 (19.05 - 70)	A
0.4375 (11.113)	16 (406)	\$85	\$79	\$72	\$65	3/4 x 2-3/4 (19.05 - 70)	A
0.4375 (11.113)	22 (559)	\$90	\$84	\$77	\$70	3/4 x 2-3/4 (19.05 - 70)	A
0.4375 (11.113)	28 (711)	\$91	\$85	\$79	\$70	3/4 x 2-3/4 (19.05 - 70)	A
0.4375 (11.113)	36 (914)	\$96	\$90	\$84	\$75	3/4 x 2-3/4 (19.05 - 70)	A
0.4375 (11.113)	48 (1219)	\$108	\$102	\$92	\$84	3/4 x 2-3/4 (19.05 - 70)	A
0.4687 (11.905)	10 (254)	\$80	\$78	\$72	\$63	3/4 x 2-3/4 (19.05 - 70)	A
0.4687 (11.905)	16 (406)	\$84	\$80	\$74	\$66	3/4 x 2-3/4 (19.05 - 70)	A
0.4687 (11.905)	22 (559)	\$91	\$85	\$78	\$69	3/4 x 2-3/4 (19.05 - 70)	A
0.4687 (11.905)	28 (711)	\$94	\$86	\$80	\$72	3/4 x 2-3/4 (19.05 - 70)	A
0.4687 (11.905)	36 (914)	\$97	\$90	\$84	\$75	3/4 x 2-3/4 (19.05 - 70)	A
0.4687 (11.905)	48 (1219)	\$108	\$102	\$95	\$84	3/4 x 2-3/4 (19.05 - 70)	A
0.4844 (12.304)	10 (254)	\$84	\$79	\$72	\$69	3/4 x 2-3/4 (19.05 - 70)	A
0.4844 (12.304)	22 (559)	\$90	\$85	\$78	\$70	3/4 x 2-3/4 (19.05 - 70)	A

Diameter (inches/mm)	Overall (inches/mm)	1-3 Drills	4-5 Drills	6-11 Drills	12-25 Drills	Shank Size (inches/mm)	Shank Type
0.5000 (12.700)	10 (254)	\$84	\$80	\$72	\$63	3/4 x 2-3/4 (19.05 - 70)	A
0.5000 (12.700)	16 (406)	\$86	\$81	\$75	\$66	3/4 x 2-3/4 (19.05 - 70)	A
0.5000 (12.700)	22 (559)	\$90	\$84	\$78	\$70	3/4 x 2-3/4 (19.05 - 70)	A
0.5000 (12.700)	28 (711)	\$95	\$84	\$78	\$70	3/4 x 2-3/4 (19.05 - 70)	A
0.5000 (12.700)	36 (914)	\$98	\$92	\$85	\$77	3/4 x 2-3/4 (19.05 - 70)	A
0.5000 (12.700)	48 (1219)	\$113	\$104	\$95	\$85	3/4 x 2-3/4 (19.05 - 70)	A
0.5312 (13.492)	16 (406)	\$89	\$84	\$77	\$69	1 x 2-3/4 (25.4 x 70)	A
0.5312 (13.492)	22 (559)	\$92	\$86	\$79	\$72	1 x 2-3/4 (25.4 x 70)	A
0.5312 (13.492)	36 (914)	\$101	\$95	\$86	\$79	1 x 2-3/4 (25.4 x 70)	A
0.5625 (14.288)	16 (406)	\$95	\$90	\$84	\$74	1 x 2-3/4 (25.4 x 70)	A
0.5625 (14.288)	22 (559)	\$99	\$94	\$85	\$76	1 x 2-3/4 (25.4 x 70)	A
0.5625 (14.288)	36 (914)	\$108	\$101	\$94	\$84	1 x 2-3/4 (25.4 x 70)	A
0.5625 (14.288)	48 (1219)	\$124	\$117	\$106	\$95	1 x 2-3/4 (25.4 x 70)	A
0.5937 (15.080)	16 (406)	\$104	\$96	\$90	\$79	1 x 2-3/4 (25.4 x 70)	A
0.5937 (15.080)	22 (559)	\$106	\$99	\$90	\$81	1 x 2-3/4 (25.4 x 70)	A
0.5937 (15.080)	36 (914)	\$115	\$106	\$97	\$87	1 x 2-3/4 (25.4 x 70)	A
0.6250 (15.875)	16 (406)	\$109	\$102	\$95	\$84	1 x 2-3/4 (25.4 x 70)	A
0.6250 (15.875)	22 (559)	\$113	\$106	\$96	\$86	1 x 2-3/4 (25.4 x 70)	A
0.6250 (15.875)	28 (711)	\$117	\$108	\$99	\$89	1 x 2-3/4 (25.4 x 70)	A
0.6250 (15.875)	36 (914)	\$118	\$111	\$102	\$90	1 x 2-3/4 (25.4 x 70)	A
0.6250 (15.875)	48 (1219)	\$135	\$128	\$117	\$106	1 x 2-3/4 (25.4 x 70)	A
0.6875 (17.463)	16 (406)	\$115	\$107	\$97	\$88	1 x 2-3/4 (25.4 x 70)	A
0.6875 (17.463)	22 (559)	\$117	\$109	\$100	\$87	1 x 2-3/4 (25.4 x 70)	A
0.6875 (17.463)	36 (914)	\$124	\$117	\$106	\$95	1 x 2-3/4 (25.4 x 70)	A
0.6875 (17.463)	48 (1219)	\$139	\$130	\$118	\$107	1 x 2-3/4 (25.4 x 70)	A
0.7187 (18.255)	16 (406)	\$117	\$108	\$99	\$89	1 x 2-3/4 (25.4 x 70)	A
0.7187 (18.255)	22 (559)	\$118	\$111	\$101	\$91	1 x 2-3/4 (25.4 x 70)	A
0.7500 (19.050)	16 (406)	\$123	\$114	\$106	\$95	1 x 2-3/4 (25.4 x 70)	A
0.7500 (19.050)	22 (559)	\$124	\$117	\$107	\$96	1 x 2-3/4 (25.4 x 70)	A
0.7500 (19.050)	28 (711)	\$127	\$118	\$110	\$98	1 x 2-3/4 (25.4 x 70)	A
0.7500 (19.050)	36 (914)	\$129	\$121	\$111	\$99	1 x 2-3/4 (25.4 x 70)	A
0.7500 (19.050)	48 (1219)	\$143	\$134	\$128	\$117	1 x 2-3/4 (25.4 x 70)	A

# Single Flute Gundrill Standard Drivers

**NOTE:**  
Inch  
[ Metric ]



\*Pricing Effective 2019



**Star SU LLC**  
5200 Prairie Stone Parkway,  
Suite 100  
Hoffman Estates, IL 60192  
Tel.: 847 649 1450  
Fax: 847 649 0112  
e-mail: sales@star-su.com  
web: www.star-su.com

**Star Cutter Company**  
23461 Industrial Park Drive  
Farmington Hills, MI 49629-0728  
Tel.: 231 264 5661  
Fax: 231 264 5663  
e-mail: sales@starcutter.com  
web: www.starcutter.com

