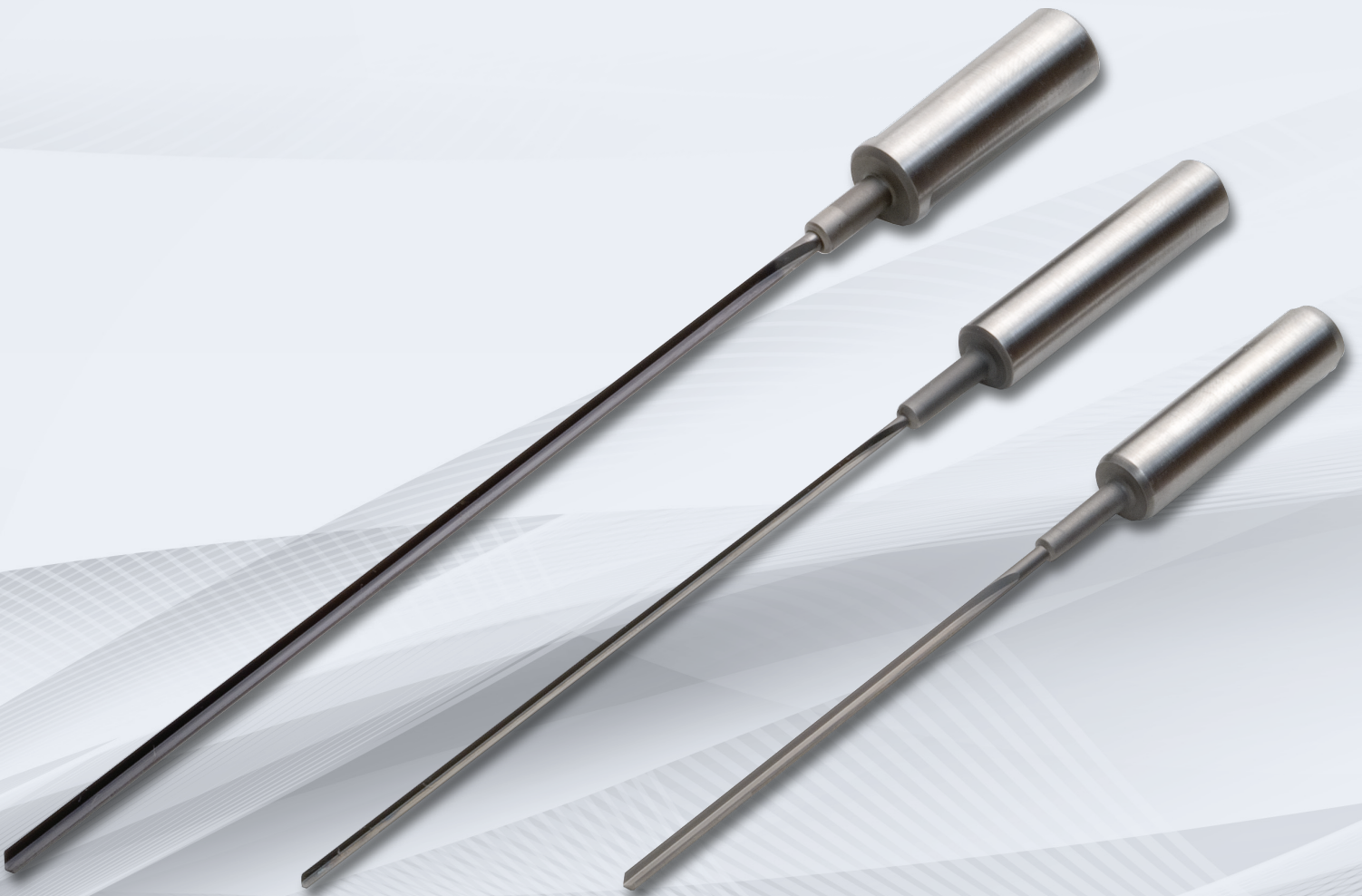


Star Cutter Express
Stock Gundrill Program

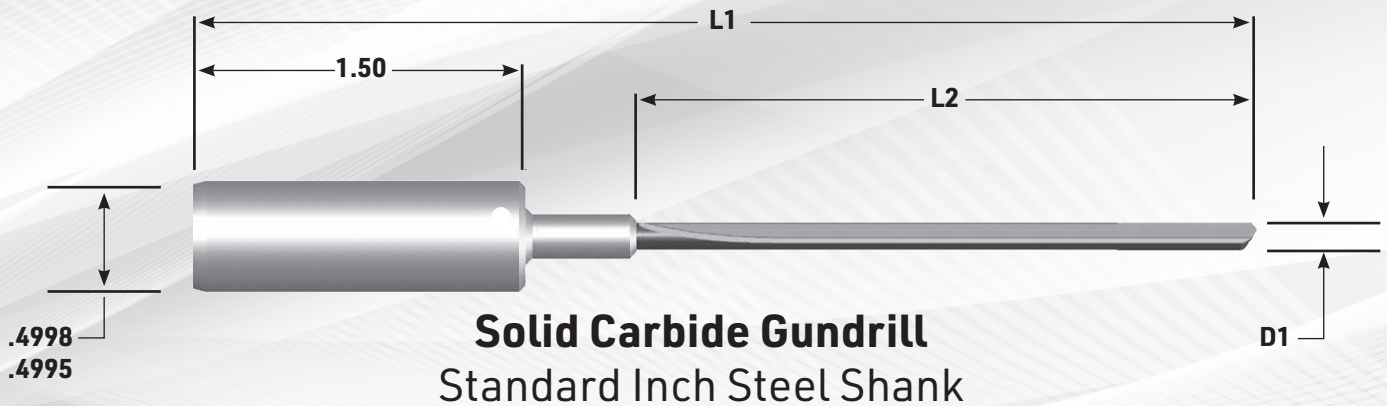
SCGD EXPRESS

Solid Carbide Gundrills

▶ *Same Day Shipping*



Sold and Distributed by Star SU LLC | Contact us **(877) 635-3488**



Sizes	Drill Dia.		Lengths				Price			Unsupported Length	Coating	
	Fraction/ Wire	D1 (in)	D1 (mm)	L1 (in)	L1 (mm)	L2 (in)	L2 (mm)	1-3 QTY	4-5 QTY	6-12 QTY	L2/D1	Type
35		0.0355	0.902	4.00	102	2.00	51	\$110	\$100	\$88	56	TiSiN
		0.0394	1.000	4.00	102	2.00	51	\$110	\$100	\$88	51	TiSiN
		0.0394	1.000	5.00	127	3.00	76	\$117	\$107	\$95	76	TiSiN
3/64		0.0433	1.100	5.00	127	3.00	76	\$117	\$107	\$95	69	TiSiN
		0.0469	1.191	5.50	140	2.50	64	\$121	\$110	\$98	53	TiSiN
		0.0480	1.219	5.50	140	3.50	89	\$121	\$110	\$98	73	TiSiN
		0.0490	1.245	6.00	152	4.00	102	\$125	\$114	\$102	82	TiSiN
54		0.0500	1.270	6.00	152	4.00	102	\$125	\$114	\$102	80	TiSiN
		0.0510	1.295	6.00	152	4.00	102	\$125	\$114	\$102	78	TiSiN
		0.0550	1.397	6.00	152	4.00	102	\$126	\$115	\$103	73	TiSiN
		0.0550	1.397	8.00	203	6.00	152	\$147	\$137	\$125	109	TiSiN
5/64		0.0570	1.448	6.00	152	4.00	102	\$125	\$114	\$102	70	TiSiN
		0.0591	1.500	5.50	140	3.50	89	\$121	\$110	\$98	59	TiSiN
		0.0591	1.500	6.50	165	4.50	114	\$127	\$116	\$104	76	TiSiN
		0.0620	1.575	6.00	152	4.00	102	\$125	\$114	\$102	65	TiSiN
1/16		0.0625	1.588	5.00	127	3.00	76	\$118	\$108	\$96	48	TiSiN
		0.0625	1.588	7.00	178	5.00	127	\$139	\$129	\$116	80	TiSiN
5/94		0.0690	1.753	6.00	152	4.00	102	\$124	\$113	\$101	58	TiSiN
		0.0690	1.753	8.00	203	6.00	152	\$142	\$132	\$119	87	TiSiN
		0.0709	1.800	6.00	152	4.00	102	\$124	\$113	\$101	56	TiSiN
		0.0709	1.800	8.00	203	6.00	152	\$142	\$132	\$119	85	TiSiN
7/94		0.0781	1.984	6.00	152	4.00	102	\$126	\$115	\$103	51	TiSiN
		0.0781	1.984	10.00	254	8.00	203	\$162	\$151	\$139	102	TiSiN
		0.0787	2.000	6.00	152	4.00	102	\$126	\$115	\$103	51	TiSiN
45		0.0787	2.000	10.00	254	8.00	203	\$162	\$151	\$139	102	TiSiN
		0.0820	2.083	6.00	152	4.00	102	\$126	\$115	\$103	49	TiSiN
		0.0820	2.083	10.00	254	8.00	203	\$162	\$151	\$139	98	TiSiN
44		0.0860	2.184	6.00	152	4.00	102	\$126	\$115	\$103	47	TiSiN
		0.0866	2.200	6.00	152	4.00	102	\$126	\$115	\$103	46	TiSiN
		0.0866	2.200	10.00	254	8.00	203	\$162	\$151	\$139	92	TiSiN
		0.0866	2.200	10.00	254	8.00	203	\$162	\$151	\$139	92	TiSiN
3/32		0.0937	2.380	6.00	152	4.00	102	\$126	\$115	\$103	43	TiSiN
		0.0937	2.380	10.00	254	8.00	203	\$162	\$151	\$139	85	TiSiN
39		0.0984	2.500	6.00	152	4.00	102	\$126	\$115	\$103	41	TiSiN
		0.0984	2.500	10.00	254	8.00	203	\$162	\$151	\$139	81	TiSiN
7/32		0.0995	2.527	6.00	152	4.00	102	\$126	\$115	\$103	40	TiSiN
		0.0995	2.527	10.00	254	8.00	203	\$162	\$151	\$139	80	TiSiN
	0.1094	2.779	6.00	152	4.00	102	\$126	\$115	\$103	37	TiSiN	

Sizes	Drill Dia.		Lengths				Price			Unsupported Length	Coating
	Fraction/ Wire	D1 (in)	D1 (mm)	L1 (in)	L1 (mm)	L2 (in)	L2 (mm)	1-3 QTY	4-5 QTY	6-12 QTY	L2/D1
7/32	0.1094	2.779	10.00	254	8.00	203	\$162	\$151	\$139	73	TiSiN
	0.1102	2.800	8.00	203	6.00	152	\$147	\$137	\$125	54	TiSiN
	0.1102	2.800	11.00	279	9.00	229	\$166	\$156	\$143	82	TiSiN
	0.1181	3.000	8.50	216	6.50	165	\$157	\$146	\$134	55	TiSiN
	0.1181	3.000	11.50	292	9.50	241	\$175	\$165	\$152	80	TiSiN
	0.1250	3.175	10.00	254	8.00	203	\$169	\$159	\$146	64	TiSiN
	0.1260	3.200	11.00	279	9.00	229	\$169	\$159	\$146	71	TiALN
	0.1378	3.500	11.00	279	9.00	229	\$169	\$159	\$146	65	TiALN
9/64	0.1406	3.571	11.00	279	9.00	229	\$169	\$159	\$146	64	TiALN
5/32	0.1562	3.967	11.00	279	9.00	229	\$171	\$161	\$148	58	TiALN
	0.1575	4.000	11.00	279	9.00	229	\$173	\$163	\$150	57	TiALN
	0.1719	4.366	11.00	279	9.00	229	\$183	\$173	\$161	52	TiALN
	0.1772	4.500	11.00	279	9.00	229	\$190	\$179	\$167	51	TiALN
	0.1875	4.763	11.00	279	9.00	229	\$180	\$170	\$158	48	TiALN
	0.1969	5.000	12.00	305	10.00	254	\$201	\$191	\$178	51	TiALN



Star Cutter Company
23461 Industrial Park Drive
Farmington Hills, MI 48335
Tel.: 877 635 3488
sales@starcutter.com
www.starcutter.com

Sold and distributed by **Star SU LLC**